



# QUFRESH<sup>®</sup> by



Patents Pending

# FRESH AIRevolution

Contractors and builders now have a practical, cost effective mechanical offering for introducing constant fresh air from outside into the residence, meeting the fresh air CFM requirements while also accounting for temperature and humidity levels.

### Lowest HERS Index

With a range of CFM usage from 40 to 120 and electrical usage from 13 to 31 watts, the QuFresh from Air King will delivers the same or lower HERS Ratings than almost any other air intake solution on the market.

- 1-2 HERS Index points lower than Central Integrated fan supply only solutions (with ECM Motors)
- 2-5 HERS Index points lower than Central Integrated fan supply only solutions (with Split Capacitor Motors)

### Rating Simplicity – Making the Rater’s job Easier

- Independent fan delivers easy to measure CFM that can be adjusted on site
- Gives rater complete confidence of passing RESNET QA oversight on ventilation
- Published performance specifications on HVI website
- When properly sized, meets ASHRAE 62.2 requirements

### HVAC Plug and Play – Help your Contractor be Successful

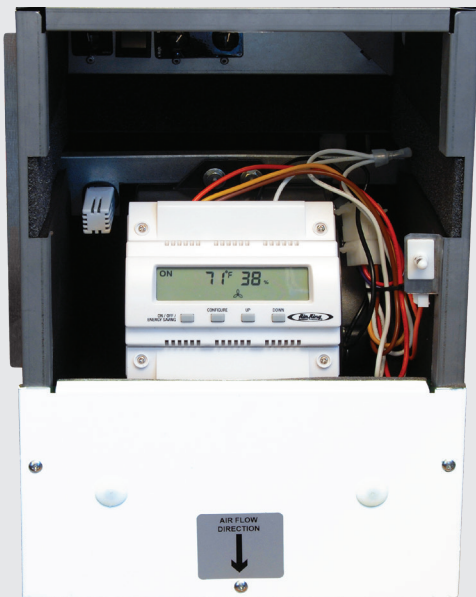
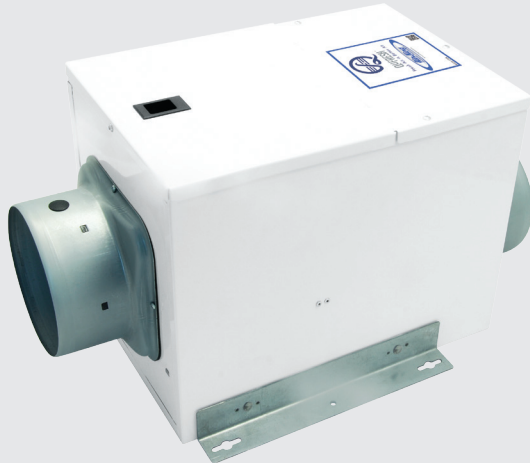
- Multiple mounting options
- Independent operation - does not need to be wired to HVAC system
- Simplicity in wiring (all control wiring done at the factory)
- Only needs 115v wired into the unit by the electrician
- Easy to set – dial in desired CFM then select ranges for temperature and humidity

### Low First Cost – Positive Results for Less

- Low first cost for QuFresh by Air King product and installation material
- Simple labor – hang unit, install duct and outlet terminals
- Does not require HVAC contractor control wiring – NO transformer, thermostat wire, or remote sensors

### “Do No Harm” – Reduce the number and impact of unintended consequences

- Provides constant fresh air and will automatically shut off when it is too hot, too cold, too humid or too dry
- Low energy use with efficient independent fan, maximum 30.1 watts
- Almost silent operation allows the fan to be installed almost anywhere without the sound being noticed by the occupants



### HVI Certified Performance

Model	Duct Size	Static Pressure	Speed	Watts
QFAM	6"	0.2	40 CFM	12.9
			50 CFM	13.0
			60 CFM	15.1
			70 CFM	17.1
			80 CFM	19.5
			90 CFM	21.8
			100 CFM	26.3
			110 CFM	27.5
			120 CFM	30.1

[Learn More](#)





# QFRESH™



## SPECIFICATIONS

# QFAM

### FRESH AIR SUPPLY FAN



120 CFM @ 0.20" SP., 30.1 Watts  
 110 CFM @ 0.20" SP., 27.5 Watts  
 100 CFM @ 0.20" SP., 26.3 Watts  
 90 CFM @ 0.20" SP., 21.8 Watts  
 80 CFM @ 0.20" SP., 19.5 Watts

70 CFM @ 0.20" SP., 17.1 Watts  
 60 CFM @ 0.20" SP., 15.1 Watts  
 50 CFM @ 0.20" SP., 14.5 Watts  
 40 CFM @ 0.20" SP., 12.9 Watts

#### Blower Wheel

Balanced polymeric dual inlet blower wheel secured in place using a hex nut.

#### Adjustable Capacity Motor

9 capacity settings allow the fan to be set to the required intake. Set points include: 40 50 60 70 80 90 100 110 120 CFM

4 Pole motor, permanently lubricated, thermally protected  
115/120V 60 Hz., 0.30 amps.

#### Controller

Unit mounted controller monitors temperature and humidity of incoming air and allows installer to configure optimal ventilation.

#### Fan Housing

Insulated 26 gauge baked epoxy housing. Overall dimensions: 14<sup>7</sup>/<sub>8</sub>"H x 11<sup>1</sup>/<sub>2</sub>"D x 10<sup>1</sup>/<sub>8</sub>"W.

#### Duct Collars

6" round, zinc plated metal collar adapters.

#### Electrical Connections

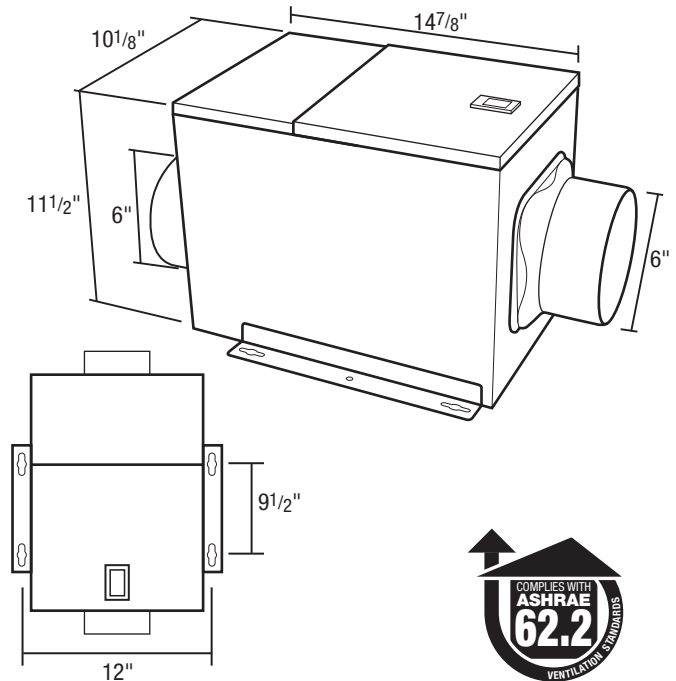
0.5" electrical access. Easy wiring access via external wiring compartment cover or internal access plate.

#### Unit Mounting

Designed to surface mount to a wall or ceiling with the included mounting brackets. Can be mounted onto joists, studs or the housing mounting brackets can be adapted for overhead mounting (hardware not provided).

#### Single Pack Shipping Info

Box Dim: 23" x 15<sup>7</sup>/<sub>8</sub>" x 12<sup>3</sup>/<sub>4</sub>"  
Shipping Weight: 18.0 lbs.



#### Optional Air Filter

An optional 10" x 10" x 2" air filter can be added to the unit (not included).

#### Test Port

Allows easy air flow measurement with Pitot tube or similar device.

## SEE REVERSE SIDE FOR STATIC PRESSURE RANGES

PROJECT							ARCHITECT			
LOCATION							ENGINEER			
CONTRACTOR							SUBMITTED BY		DATE	
FAN NUMBER	MODEL NUMBER	CFM	IN W.G.	RPM	WATTS	AMPS	SONES	QTY	OPTIONAL EQUIPMENT & REMARKS	



820 Lincoln Avenue • West Chester, Pennsylvania 19380-4466



# QFRESH™

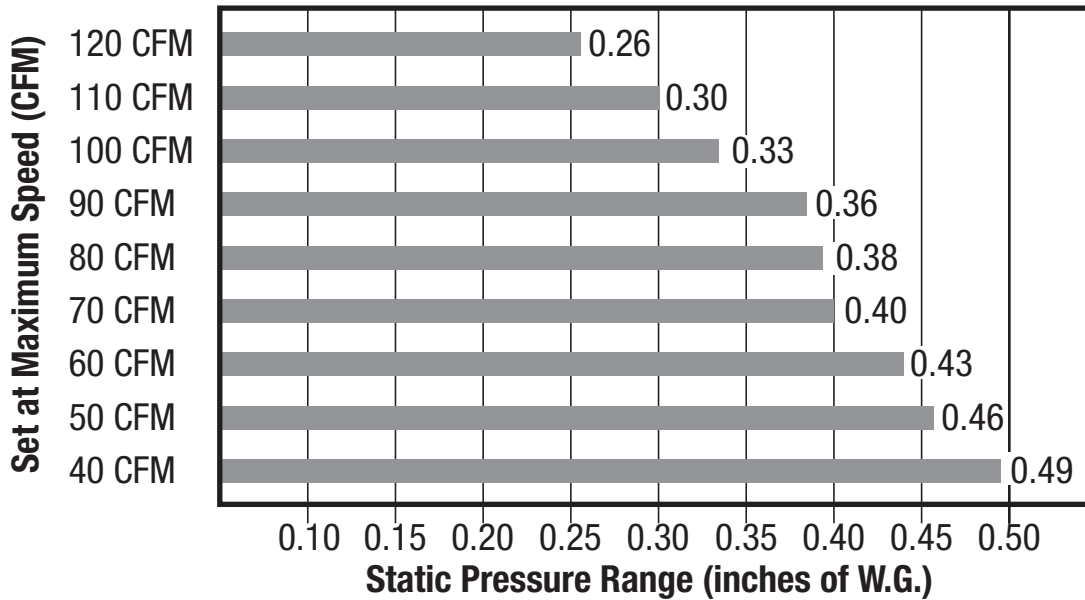


SPECIFICATIONS

## QFAM

FRESH AIR SUPPLY FAN

### ACHIEVABLE STATIC PRESSURES



### OUTLET FAN SONES

CFM @ 0.2"	40	50	60	70	80	90	100	110	120
Static Pressure									
Sones	0.4	0.5	0.6	0.7	0.9	1.0	1.2	1.4	1.6

The sound ratings shown are loudness values in spherical sones at a distance of 1.5 m (5 ft) in a hemispherical free field calculated per AMCA Standard 301. Values shown are for: Installation Type D: ducted outlet spherical sone levels. Ratings do not include the effect of duct end correction.

The HVI certified ratings program does not provide for sound ratings of inline fans, so these values are not HVI certified.

AMCA does have a program for testing and rating sound for inline fans but Air King is not an AMCA member so these values are not AMCA licensed. The testing was performed at the AMCA laboratory in Arlington Heights, IL. The outlet duct length was 18" (3 duct diameters) of galvanized steel duct with no acoustic insulation with a bell mouth termination fitting.



820 Lincoln Avenue • West Chester, Pennsylvania 19380-4466